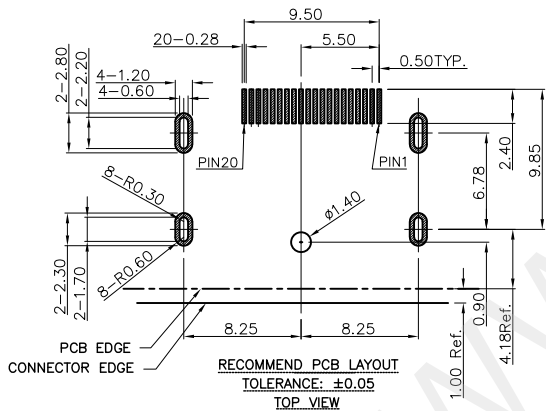


SOURCE SIDE

PIN NO.	PIN NAME
1	ML_Lane 0 (p)
2	GND
3	ML_Lane 0 (n)
4	ML_Lane 1 (p)
5	GND
6	ML_Lane 1 (n)
7	ML_Lane 2 (p)
8	GND
9	ML_Lane 2 (n)
10	ML_Lane 3 (p)
11	GND
12	ML_Lane 3 (n)
13	CONFIG1
14	CONFIG2
15	AUX CH (p)
16	GND
17	AUX CH (n)
18	Hot Plug Detect
19	Return
20	DP_PWR

SINK SIDE

PIN NO.	PIN NAME
1	ML_Lane 3 (n)
2	GND
3	ML_Lane 3 (p)
4	ML_Lane 2 (n)
5	GND
6	ML_Lane 2 (p)
7	ML_Lane 1 (n)
8	GND
9	ML_Lane 1 (p)
10	ML_Lane 0 (n)
11	GND
12	ML_Lane 0 (p)
13	CONFIG1
14	CONFIG2
15	AUX CH (p)
16	GND
17	AUX CH (n)
18	Hot Plug Detect
19	Return
20	DP_PWR



MATERIALS

- HOUSING : LCP (UL94V-0) , BLACK.
- TERMINAL : COPPER ALLOY, T=0.15mm  
GOLD PLATED ON CONTACT AREA.  
MATTE TIN PLATED ON SOLDER TAIL,  
UNDER NICKEL PLATED.
- SHELL : BRASS,T=0.40mm,  
GOLD OR NICKEL PLATED OVERALL(SEE THE P/N).

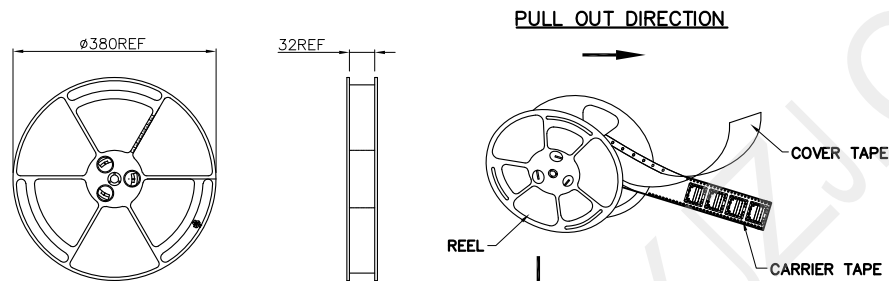
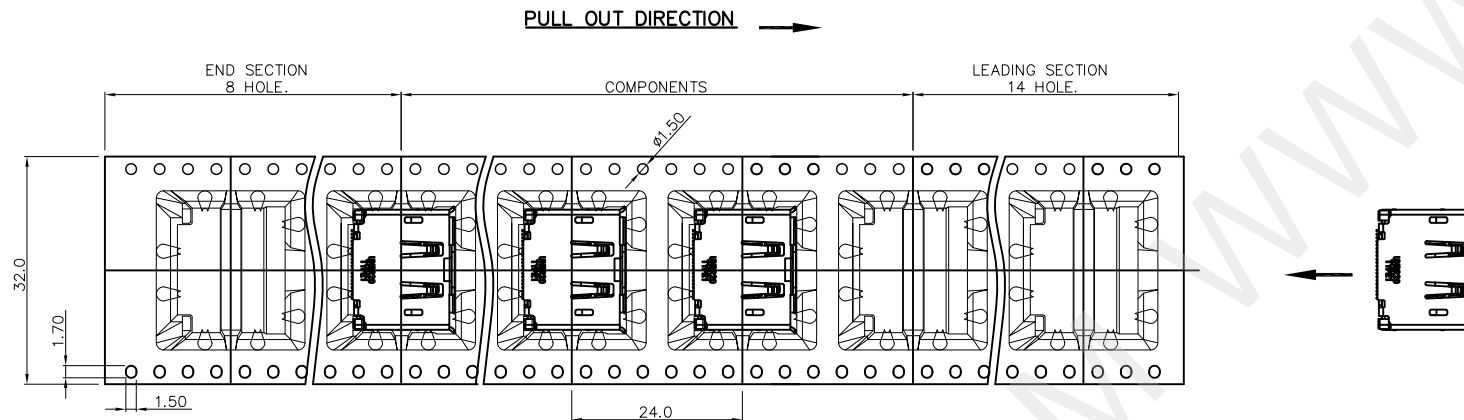
SPECIFICATION

- CURRENT RATING : 0.5A .
- DIELECTRIC WITHSTANDING VOLTAGE :  
500V AC R.M.S. FOR ONE MINUTE.
- INSULATION RESISTANCE : 100MΩ MIN. AT 500V DC.
- CONTACT RESISTANCE : 30mΩ MAX.
- OPERATING TEMPERATURE : -25°C TO +85°C.
- DURABILITY : 10000 CYCLES.
- MATING FORCE : 4.5kgf MAX.
- UNMATING FORCE : 1.0kgf MIN.



深圳市华宇创精密电子有限公司

TOLERANCE: X.X ±0.30 X.XX ±0.25 X.XXX ±0.15 X.* ±2* X.X* ±0.5*	DRAWN BY : 陈一鸣	DATE : 2014-02-23	PART NAME: DP 2.1 SMT 有耳 螺丝孔1L3 镀金 (Support DP UHBR20, For Type 1 Footprint)
	CHECKED BY: 马跃	DATE : 2014-02-23	PART NO. : HVC58-DP20-113
UNIT: mm [inch]	APPROVED BY: 邱敏	DATE : 2014-02-23	DRAW NO. : HVC-2603301527
SCALE: 1:1	SIZE: A4		SHEET NO. : 1 OF 1



TAPE & REEL PACKAGE :

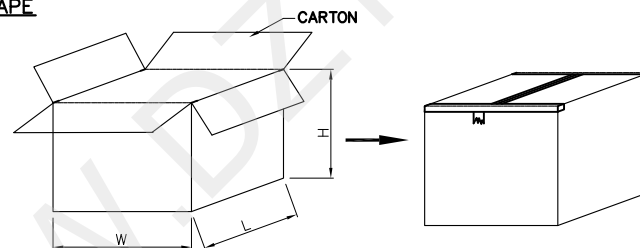
MATERIALS


1. CARRIER TAPE: POLYSTYREN (PS)
2. COVER TAPE: POLYSTYREN (PS)
3. REEL: POLYSTYREN (PS)

QUANTITY

1. 200PCS PER REEL
  2. 10 REEL PER CARTON(2000PCS PER CARTON)
- (CARTON :L=400mm, W=400mm, H=400mm)

REEL FOR CARRIER TAPE



 <b>深圳市华宇创精密电子有限公司</b>			
TOLERANCE: X.X ±0.30 X.XX ±0.25 X.XXX ±0.15 X.' ±2'    X.X' ±0.5'	DRAWN BY :	DATE :	PART NAME:
	陈一鸣	2014-02-23	包装图
UNIT: mm [inch] SCALE:1:1    SIZE: A4	CHECKED BY:	DATE :	PART NO.
	马跃	2014-02-23	MOLD NO.
	APPROVED BY:	DATE :	DRAW NO:
	邱敏	2014-02-23	SHEET NO. 1 OF 1